

### Specification

1. Input Voltage: AC220-240V 50/60Hz
2. Wattage: 1W
3. Power factor:0.83PF, supply current:11mA
4. Lumens: 120lm.
5. Battery installed or replaced: LiFeP04 3Ah.
6. Operating environmental temp: 0° to +35°C.
7. Recharge time: 24 hours.
8. Emergency duration: more than 3 hours.


### Important Information

**We recommend that luminaires are installed by a qualified electrician ensuring the installation complies with current IEE wiring regulations BS7671:2018 & local building control.**

- All tests should be carried out in accordance to EN 50172:2004.
- BELL will not accept responsibility for any claims arising from a poor installation.
- The light source of this luminaire is not replaceable: when the light source reaches end of life, the whole luminaire must be replaced.
- Do not cover with any insulation.

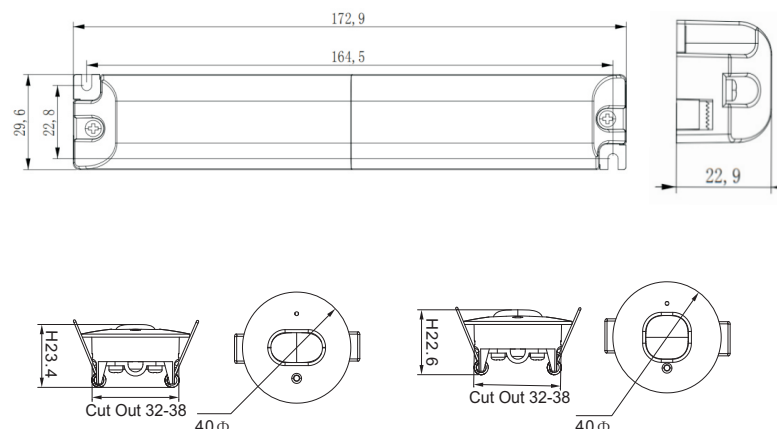
### Important User Advice

- Ensure that there is adequate free air ventilation around the fitting.
- Always switch off mains supply before installing.

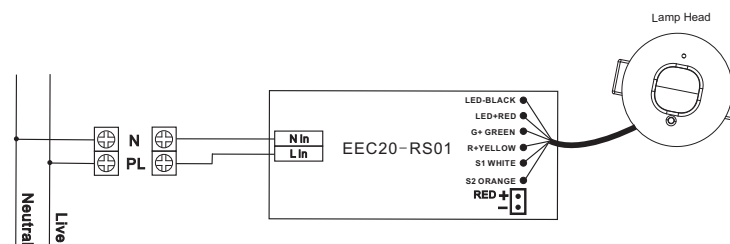
**Read these instructions before installation and retain for future reference** 

**This equipment should be installed by a competent electrician**

### Dimensions



### Wiring Diagram



This product may contain substances that can be hazardous to the environment if not disposed of properly. Electrical and electronic equipment should never be disposed of with general household waste but must be separated for its correct treatment and recovery.

Where possible recycle your packaging.



**Technical Helpline +44 (0)1924 893380**

**www.bellighting.co.uk**

**British Electric Lamps Ltd**  
Unit A Foxbridge Way, Normanton Industrial Estate  
Normanton, West Yorkshire. WF6 1TN

T: +44 (0)1924 893380 F: +44 (0)1924 894320 E: sales@bellighting.co.uk

**www.bellighting.co.uk**

## Testing & Commissioning for Emergency Luminaire

- Ensure the Load is connected.
- Connect the battery.
- Switch on the Unswitched Supply  
- Check the Charge LED illuminates.
- Switch on the Maintained Supply  
- Check the LED illuminates as normal.
- Switch off the Maintained Supply.
- Switch off the Unswitched Supply  
- Check the Charge LED extinguishes and the load LED illuminates at a reduced output.
- Enter the commissioning date on the Battery Pack.  
Switch on the Unswitched Supply

<b>Luminaire Ref/Location</b>		<b>In Case of difficulty, contact the Installation Engineers:-</b> Tel: _____									
<b>Full Recharge Time 24 Hours</b>			<b>Duration 3 Hours</b>			<b>Lamp Type - LED</b>					
<b>ROUTINE TEST RECORD</b>											
	<b>Year 1</b>		<b>Year 2</b>		<b>Year 3</b>		<b>Year 4</b>		<b>Year 5</b>		
<b>Monthly Test</b>	<b>Signed</b>	<b>Date</b>	<b>Signed</b>	<b>Date</b>	<b>Signed</b>	<b>Date</b>	<b>Signed</b>	<b>Date</b>	<b>Signed</b>	<b>Date</b>	
Functional											
Functional											
Functional											
Functional											
Functional											
Functional											
Functional											
Functional											
Functional											
Functional											
Functional											
Three Hour											

**Technical Helpline +44 (0)1924 893380**

[www.bellighting.co.uk](http://www.bellighting.co.uk)

**British Electric Lamps Ltd**  
Unit A Foxbridge Way, Normanton Industrial Estate  
Normanton, West Yorkshire. WF6 1TN

T: +44 (0)1924 893380 F: +44 (0)1924 894320 E: [sales@bellighting.co.uk](mailto:sales@bellighting.co.uk)

[www.bellighting.co.uk](http://www.bellighting.co.uk)